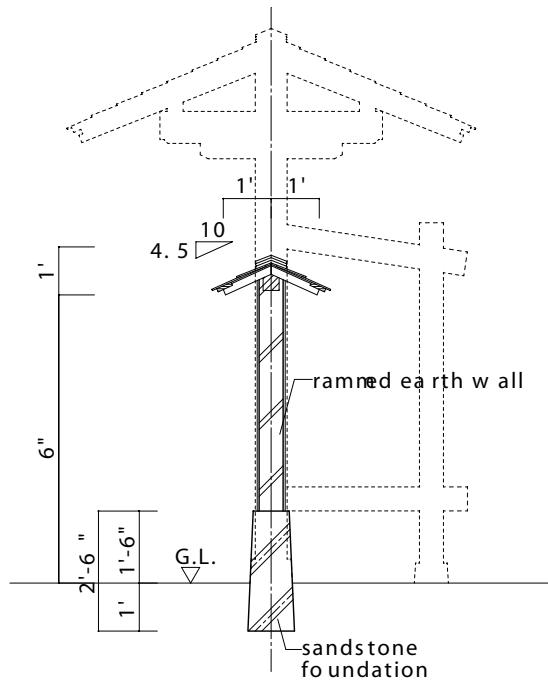
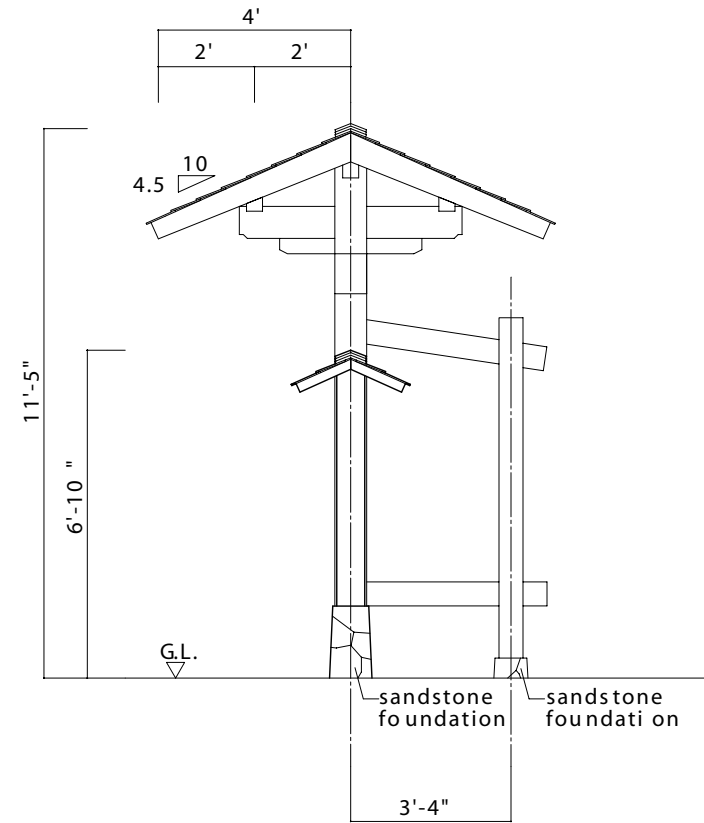


*All posts and beams are yellow cedar

SECTION A - GATE



SECTION B - SIDE WALL



*All posts and beams are yellow cedar

SOUTH ELEVATION

1'